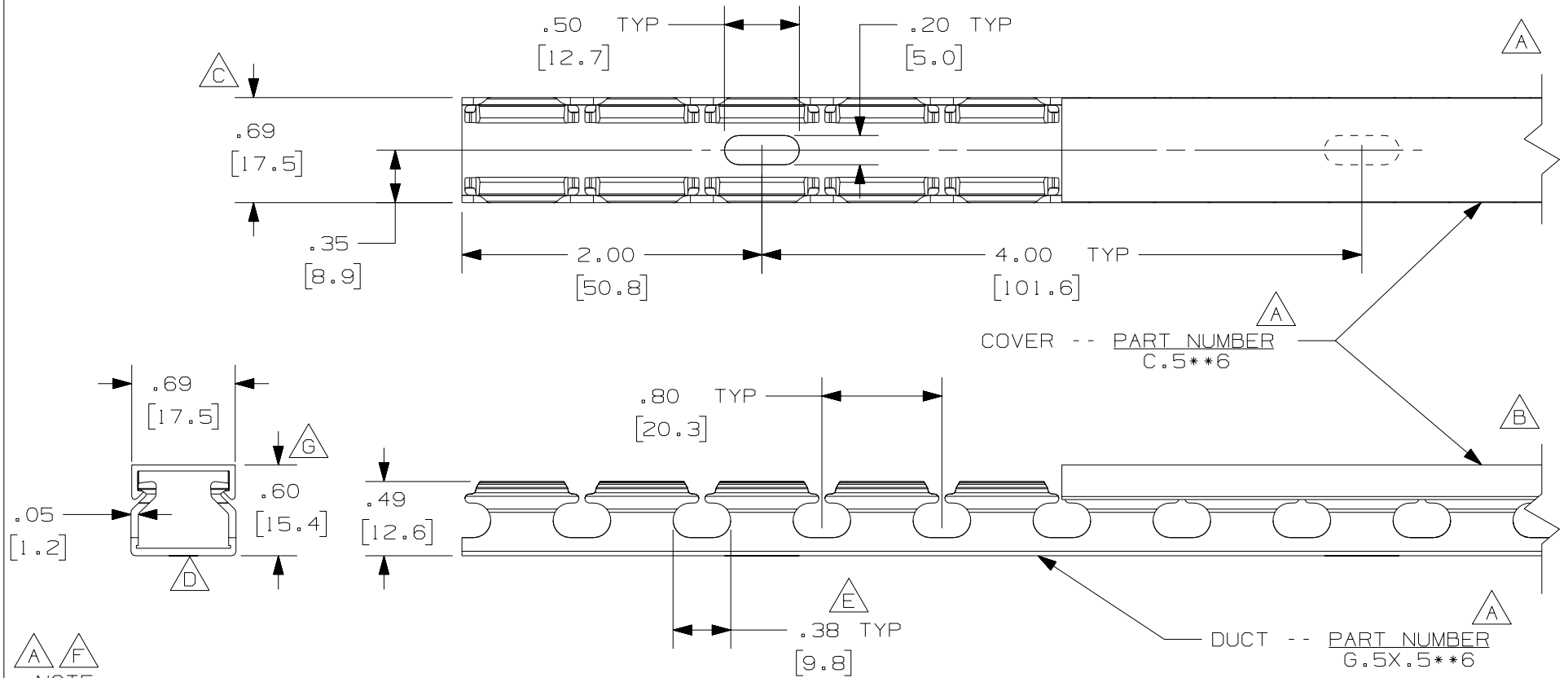


THIS COPY IS PROVIDED ON A RESTRICTED BASIS AND IS NOT TO BE USED IN ANY WAY DETRIMENTAL TO THE INTERESTS OF PANDUIT CORP.



**A** **F**

NOTE.

1. ALL DIMENSIONS ARE REFERENCE ONLY.
2. DIMENSIONS IN PARENTHESES ARE METRIC.
3. THE \*\* DENOTE COLOR.
4. DUCT AND COVER ARE AVAILABLE IN 6 FT [1828.8] LENGTHS

|  |               |                          |                  |
|--|---------------|--------------------------|------------------|
| CAD FILENAME/LAYERS  |               | D11000PX_DC_01A          |                  |
| <b>PANDUIT</b> CORP. TINLEY PARK, ILLINOIS                           |               |                          |                  |
| WIRING DUCT - TYPE G DUCT WITH COVER<br>.5 X .5<br>MARKETING DRAWING |               |                          |                  |
| DRAWN BY<br>JCST   | MAT'L;<br>PVC | SCALE<br>FULL            |                  |
| DATE<br>2/20/03  | CHK'D<br>JGG  | DRAWING NO.<br>36897-688 | DWG<br>SIZE<br>A |
| REV  |               | DATE                     | BY               |

| REV | DATE    | BY   | CHK | DESCRIPTION  |
|-----|---------|------|-----|--|
| --  | -----   | ---  | --- | G. CHANGED DIMENSION   |
| --  | -----   | ---  | --- | F. ADDED LENGTH NOTE<br>E. CHANGED PUNCH GEOMETRY - WIDENED SLOT |
| 2   | 7/6/07  | JCST | MKB | D. REMOVED DIMENSION<br>C. ADDED DIMENSION                       |
| 1   | 4/22/04 | JCST | MKB | B. CHANGED VIEW<br>A. ADDED TOP VIEW, LABELS, AND NOTES          |
| R   | 2/20/03 | JCST | JGG | DRAWING RELEASED   |